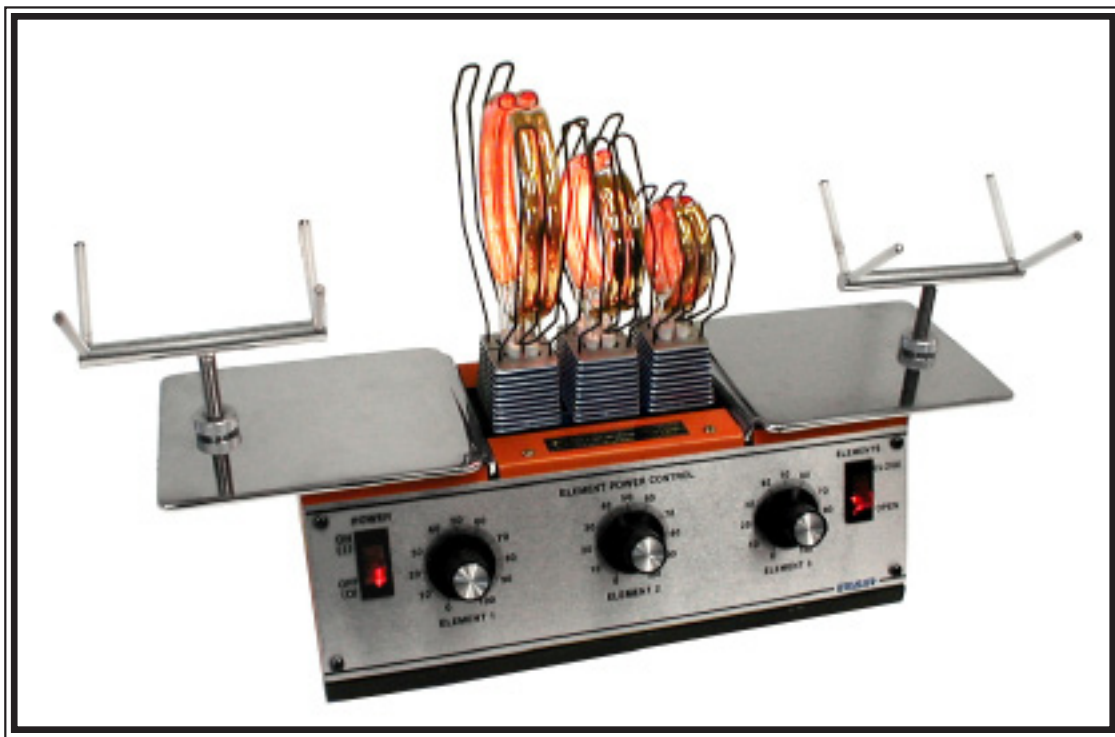




Operating Manual

Please Read Before Operating Unit



Bench Glo-Ring[®] Infrared Heat Tool

Service and All Spare Parts Available

The Eraser Company, Inc.
PO Box 4961
Syracuse, NY 13221, USA

Phone: (315) 454-3237
Fax: (315) 454-3090
Website: www.eraser.com
E-mail: info@eraser.com

TRIPLE ELEMENT BENCHTOP GLO-RING® INFRARED HEAT TOOL

ORDERING INFORMATION

Bench Unit:

AH2711 Bench Glo-Ring heat tool 120V 60Hz
IH0129 Optional electrical footswitch
IH0073 Additional or replacement workpiece rests

Guards:

IH6517 One pair 1/2" (12.7mm) wire guards
IH3551 One pair 1" (25.4mm) wire guards
IH3552 One pair 2" (50.8mm) wire guards
IH3553 One pair 3" (76.2mm) wire guards
IH0129 Optional electrical foot switch

Elements, continuous for units used as bench models:

IH6515 1/2" (12.7mm \varnothing) diameter
continuous element 120V 50/60Hz
IH5511 1" (25.4mm \varnothing) diameter
continuous element 120V 50/60Hz
IH5512 2" (50.8mm \varnothing) diameter
continuous element 120V 50/60Hz
IH5513 3" (76.2mm \varnothing) diameter
continuous element 120V 50/60Hz

Element and Guard Sizes

Dimensions of internal diameter of elements in closed position. Most elements are available in intermittent and continuously rated duty cycles. Intermittent elements heat up quicker and get hotter than continuous elements.

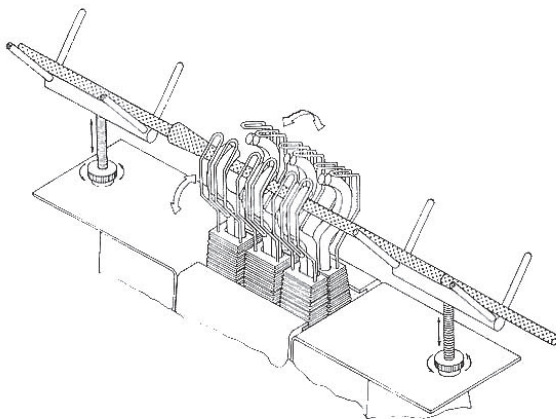
NOTE: Continuous elements **MUST** be fitted if unit is to remain on for more than 2 minutes.



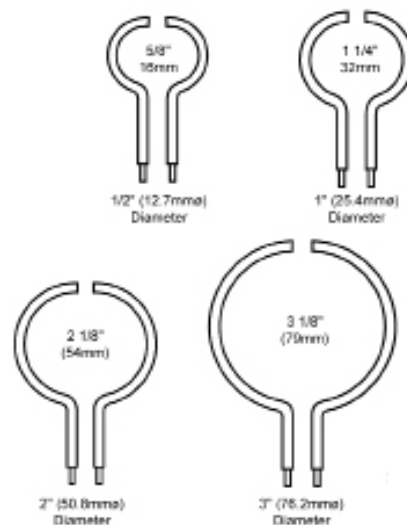
SPECIFICATIONS

Triple Element Bench Glo-Ring® Infrared Heat Tool
Power Output..... 120V Unit
Elements..... 660 Watts
Fitted with 1/2" (12.7mm \varnothing)
Elements..... 660 Watts
Fitted with 1" (25.4mm \varnothing)
Elements..... 900 Watts
Fitted with 2" (50.8mm \varnothing)
Elements..... 1080 Watts
Fitted with 3" (76.2mm \varnothing)
Weight 120V units - 9 lbs. (4.1 Kg)
Size..... 15 1/2" x 5 1/2" x 9 5/8"
(394mm x 140mm x 244mm)

OPERATION



Elements open to allow entry of material.



TRIPLE ELEMENT BENCHTOP GLO-RING® INFRARED HEAT TOOL

OPERATING INSTRUCTIONS

SET-UP:

The Triple Element Benchtop Glo-Ring® Infrared Heat Tool will come with 2 adjustable workpiece rests. An optional footswitch is also available.

To set-up, first install the quartz elements (sold separately) into the heat sink sockets. Firmly grasp the element near the base and gently insert the two contact pins into the sockets of the heat sinks. Be sure the elements are pushed in all the way. Any combination of element sizes and heat sinks may be utilized on the bench unit. After installing the desired number of pairs of elements, install the wire guards into the holes drilled on the tops of the heat sinks. Then install the adjustable workpiece rests onto the 2 plates on either side of the heat sinks and adjust them to the desired height to keep the workpiece in the center of the elements.

If the optional electrical footswitch is being utilized to open and close the elements plug this into the unit after first removing the black cap covering the socket located on the right rear panel of the unit.

Plug the unit into the appropriate electrical supply.

OPERATION:

Turn the lighted On/Off switch on the left side of the front panel to ON to apply heat to the quartz elements. The elements on the triple element model may be closed either by utilizing the lighted switch located on the right side of the front panel, or alternatively by use of the optional electrical footswitch.

The temperature of each set of elements may be varied independently by use of the 3 knobs located under each set of elements.

With the elements open, insert the workpiece from the side or top of the elements, close the elements, adjust the element temperature, and pull or push the material to be heated, through the elements, resting the ends on the workpiece rests to keep the workpiece central in the elements.

Open the elements when all material has been heated and remove the workpiece from the top or side of the elements.

NOTE: Continuous elements must be used when utilizing the triple element model.

! CAUTION: The Bench Glo-Ring Infrared Heat Tool in operation, generates significant heat and should be treated with respect. DO NOT leave unit unattended when turned ON. When changing elements, be sure unit is unplugged from the power source and that the elements are completely cooled to the touch. The elements are manufactured from quartz glass. If dropped or knocked sharply, they will break. If elements are broken, replace immediately.

MAINTENANCE:

Keep unit clean at all times and ensure that elements and wire guards are securely installed. No cleaning should be required in normal usage. No other maintenance is required.

TROUBLE SHOOTING:

If one or more elements do not heat, replace them in pairs as a set.

IMPORTANT SAFETY INSTRUCTIONS

! WARNING: DO NOT OPERATE TOOL UNTIL YOU HAVE READ THOROUGHLY, AND UNDERSTAND COMPLETELY, ALL INSTRUCTIONS, RULES, ETC. ON THIS PAGE, AND IN THE OPERATING MANUAL. WHEN USING ELECTRIC TOOLS, BASIC SAFETY PRECAUTIONS SHOULD ALWAYS BE FOLLOWED TO REDUCE RISK OF FIRE, ELECTRIC SHOCK, AND PERSONAL INJURY, INCLUDING THE FOLLOWING:

GROUNDING INSTRUCTIONS:

In the event of a malfunction or breakdown, grounding provides a path of least resistance for electric current to reduce the risk of electric shock. This tool is equipped with an electric cord having an equipment-grounding conductor and a grounding plug. The plug must be plugged into a matching outlet that is properly installed and grounded in accordance with all local codes and ordinances.

Do not modify the plug provided – if it will not fit the outlet, have the proper outlet installed by a qualified electrician.

TRIPLE ELEMENT BENCHTOP GLO-RING® INFRARED HEAT TOOL ^{p 4}

Improper connection of the equipment-grounding conductor can result in a risk of electric shock. The green conductor with or without yellow stripes is the equipment-grounding conductor. If repair or replacement of the electric cord or plug is necessary, do not connect the equipment-grounding conductor to a live terminal.

Check with a qualified electrician or service personnel if the grounding instructions are not completely understood, or if in doubt as to whether the tool is properly grounded.
Use only 3-wire extension cords that have 3-prong grounding plugs and 3-pole receptacles that accept the tool's plug.

Repair or replace damaged or worn cord immediately.

GENERAL INSTRUCTIONS:

KEEP WORK AREA CLEAN Cluttered areas and benches invite accidents.

DON'T USE IN DANGEROUS ENVIRONMENTS
Don't use power tools in damp or wet locations, or expose them to rain. Keep work area well lighted.

ALWAYS USE SAFETY GLASSES Everyday eyeglasses only have impact resistant lenses; they are NOT safety glasses.

DON'T OVERREACH Keep proper footing and balance at all times.

DISCONNECT TOOL before servicing; when changing accessories, such as blades, wheels, cutters, and like.

USE RECOMMENDED ACCESSORIES Consult the operating manual for recommended accessories. The use of improper accessories may cause risk of injury to persons.

CHECK DAMAGED PARTS Before further use of the tool, a guard or other part that is damaged should be carefully checked to determine that it will operate properly and perform its intended function – check for alignment of moving parts, binding of moving parts, breakage of parts, mounting, and any other conditions that may affect its operation. A guard or other part that is damaged should be properly repaired or replaced.

DO NOT EXCEED THE MAXIMUM MATERIAL SPECIFICATIONS See catalog pages for specifications.

DO NOT OPERATED UNIT WITHOUT GUARDS IN PLACE OR GUARDS NOT IN WORKING ORDER.

DO NOT PERFORM MAINTENANCE OR ADJUSTMENTS WITH POWER ON.

DO NOT PLACE FINGERS OR APPENDAGES IN OR NEAR OPENINGS IN GUARDS.

DO NOT RUN UNIT WITH INCORRECT LINE VOLTAGE. REFER TO LABEL PLACED OVER I/O SWITCH.

DO NOT ALLOW UNTRAINED OR UNQUALIFIED PERSONNEL TO OPERATE UNIT.

DO NOT DEFEAT ANY OF THE SAFETY FEATURES DESIGNED INTO THE UNIT.

IMPORTANT: NO LIABILITY WILL BE INCURRED BY THE ERASER CO. FOR INJURY, DEATH, OR PROPERTY DAMAGE CAUSED BY A PRODUCT WHICH HAS BEEN SET UP, OPERATED, AND/OR INSTALLED CONTRARY TO ERASER'S WRITTEN INSTRUCTION MANUAL, OR WHICH HAS BEEN SUBJECTED TO MISUSE, NEGLIGENCE, OR ACCIDENT, OR WHICH HAS BEEN REPAIRED OR ALTERED BY ANYONE OTHER THAN ERASER, OR WHICH HAS BEEN USED IN A MANNER OR FOR A PURPOSE FOR WHICH THE PRODUCT WAS NOT DESIGNED.

The Eraser Company, Inc.
PO Box 4961
Syracuse, NY 13221, USA



Phone: (315) 454-3237
Fax: (315) 454-3090
Website: www.eraser.com
E-mail: info@eraser.com

IR8441
REV 08/21